

# Visual Signals - Industrial LIGHT EMITTING DIODE BEACONS



## Industrial LED Beacons > LED195 Series

### Product overview

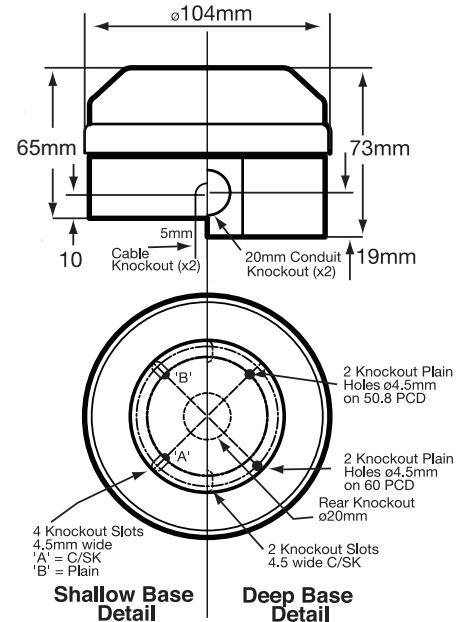
The LED195 beacon has been designed for industrial & commercial signalling applications where low maintenance & long life are the pre-requisite requirement.

These beacons have two stages of alarm, flashing (pre-set to either 60 or 120 FPM) or continuous (static) mode, selectable by a jumper link on the PCB. The design also allows for a third wire

connection giving the flexibility to switch from a pre-set static mode to a pre-set flashing mode.

The design allows for termination inside the enclosure. The LED195 deep base version offers 2 x M20 side knockouts and 1 x M20 rear.

The shallow base (low profile version) allows for cable entry of up to 5mm on the side of the unit (x2) and 1 x M20 knockout at the rear.



### Features

- Continuously rated
- LED Long Life
- Suitable for conduit box or wall mounting
- 120° prime light output above the vertical axis
- WH = White back box
- SB = Shallow base
- Dustproof and Weatherproof

### Material

UV Stable Polycarbonate Lens  
UV Stable ABS Plastic Base

## LED195 Series > Ordering Information

| Code No:       | Voltage:                       | Light Source: | Current:        |
|----------------|--------------------------------|---------------|-----------------|
| LED195-01WH-SB | 8-20v Ac/Dc ~                  | 36 SMT LEDs   | 240 mA @ 12v Dc |
| LED195-01WH    | 8-20v Ac/Dc ~                  | 36 SMT LEDs   | 240 mA          |
| LED195-02WH-SB | 20-30v Ac/Dc ~                 | 36 SMT LEDs   | 120 mA @ 24v Dc |
| LED195-02WH    | 20-30v Ac/Dc ~                 | 36 SMT LEDs   | 120 mA          |
| LED195-03WH-SB | 35-85v Ac/Dc ~                 | 36 SMT LEDs   | 76 mA @ 48v Dc  |
| LED195-03WH    | 35-85v Ac/Dc ~                 | 36 SMT LEDs   | 76 mA           |
| LED195-05WH-SB | 85-380v Dc ---<br>85-280v Ac ~ | 36 SMT LEDs   | 35 mA @ 230v Ac |
| LED195-05WH    | 85-380v Dc ---<br>85-280v Ac ~ | 36 SMT LEDs   | 35 mA           |

ADD THE FOLLOWING LENS CODES TO THE PRODUCT WHEN ORDERING **01** **02** **03** **04** **05**

**Kg** 0.25

50/60 Hz

°C -25+55

**IP** 65

**FPM** 60/120

**INDUSTRIAL**

APPROVALS and  
CONFORMITIES



**INRATO**  
International  
Focus op veiligheid

Tel +31(0)85-27 36 750  
Fax +31(0)85-27 36 760  
Web www.inrato.com