

DX Series



Data Sheet **DX-ULNA**

CONTENT

System Overview

Highlights

Technical Data

Illustrations and Figures





System Overview

The analogue to digital converter series of type „DX“ are specially designed for a large dynamic range and high stability, which makes them suitable for almost all applications.

These ADC's have internal digital calibrations resulting in highly significant signal output. Due to this digital signal processing, all signals have the identical transfer function which allows for high precise post-processing of the data.



Highlights of the DX Series

- Low power consumption
- Very low noise, large dynamic range and high linearity
- Digital temperature compensation minimizes drifts
- Sensor output digitally error-corrected with respect to scaling and offset
- Small size and lightweight
- Single coaxial cable for power and data introduces minimal magnetic signature



Technical Data DX-ULNA

No. of channels	3
Diameter	60 mm
Length	165 mm
Weigth	0.5 kg
Power supply	16 VDC, 0.9 W
Interface connector type	LEMO coaxial series 0S, FFA.0S.250
Interface	PCMCIA type II
Degree of protection	Standard: IP65, higher protection on request
Input range	± 30 mV
Noise @ 1 Hz	< 2 nV/rtHz
Sample rate	0.1 Hz – 10 kHz
Analogue filter	Anti aliasing
Digital filter	0 dB @ DC – fs/3, < -120 dB @ \leq fs/2
Resolution	50 pV
Crosstalk	< 126 dB
Max. bandwidth	4 kHz
Offset error (25 °C)	-
Offset drift (25 °C)	-
Scale error (25 °C)	-
Scale drift (25 °C)	-



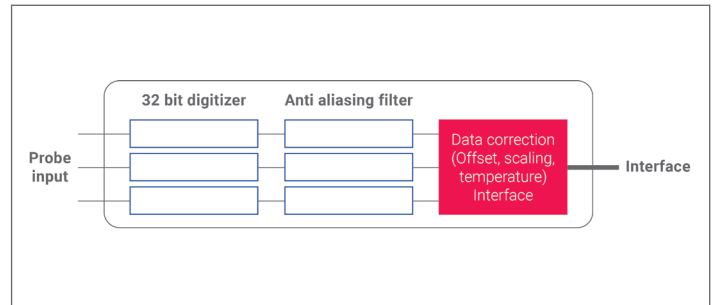
Illustrations and Figures



DX-ULNA with coaxial cable (included)



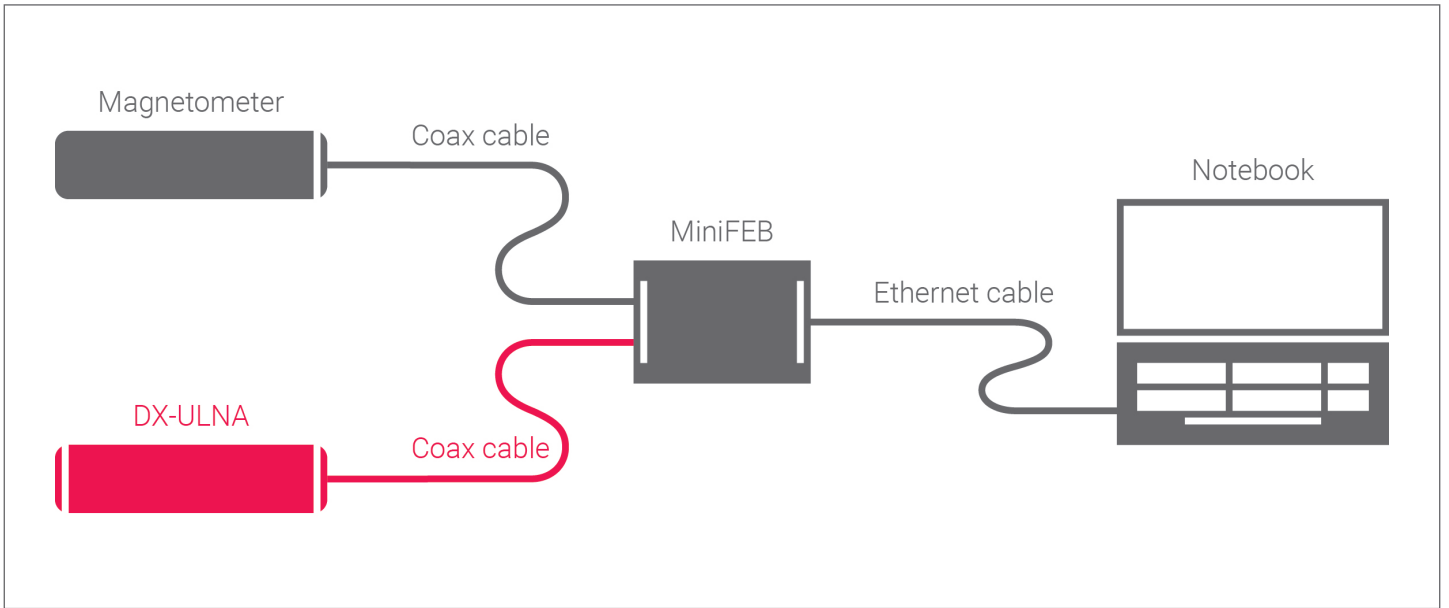
DX-ULNA sideview



Functional overview



DX-ULNA coaxial interface



Component scheme