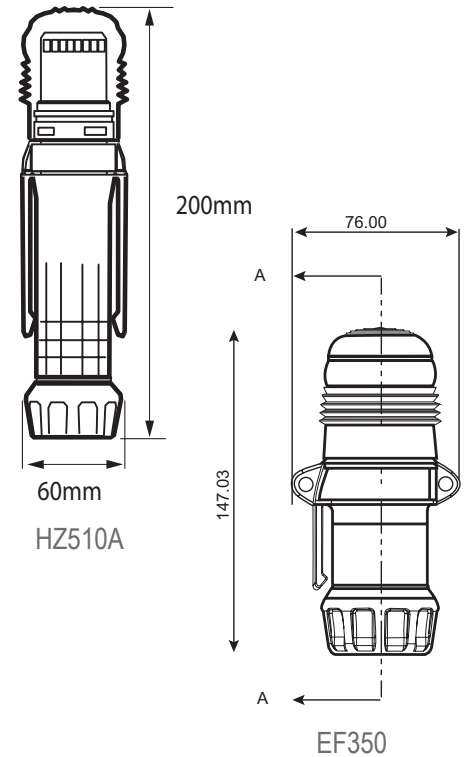


Visual Signals LIGHT EMITTING DIODE BEACONS

HZ510A



EF350



E-Flare Battery Operated > LED Portable Beacon





Product overview

Suitable for a wide range of applications the E-Flare beacon has been designed with versatility in mind. The unit provides a highly visible warning zone, day or night. These beacons are single colour only and incorporate a failsafe activation switch to prevent accidental turn on or off and come with a range of accessories.

The HZ510A beacon is powered by two 'D' Cell Alkaline batteries (not supplied) that will provide at least 40 hours of peak brightness operation.

The EF350 beacon is an economy option, powered by four 'AA' Cell Alkaline batteries (not supplied) that will provide at least 30 hours of peak brightness operation and comes with a lanyard (as standard) for hanging/wearing the unit.

LED Portable Beacon > Ordering Information

| Code No: | Voltage: | Light Source: | | |
|-------------------------------|-----------|---------------|---|---|
| LED-P-F-01 (HZ510A - Amber) | 3v Dc --- | 8 LEDs |  |  |
| LED-P-F-02 (HZ510A - (Red) | 3v Dc --- | 8 LEDs | 50170 | 50171 |
| | | | Standard Base | Aviation Base |
| LED-P-EF350-01 (Amber) | 3v Dc --- | 4 LEDs |  |  |
| LED-P-EF350-01B (Amber Pk 12) | 3v Dc --- | 4 LEDs | 50172 | 50173 |
| | | | Magnetic Clip | Cone Clip |
| LED-P-EF350-02 (Red) | 3v Dc --- | 4 LEDs | | |
| LED-P-EF350-02B (Red Pk 12) | 3v Dc --- | 4 LEDs | | |

Accessories



Features

- Continuously rated
- LED long life
- Shock resistant
- Ultra quick installation
- Versatile accessory options
- 360° light output around the vertical axis
- Special bulk pack pricing
- Dustproof and Weatherproof

Material

UV Stable Polycarbonate Lens
UV Stable ABS Body

Kg 0.35 HZ510
0.16 EF350

°C -20+50

IP 66

FPM 160

INDUSTRIAL

AUTOMOTIVE

APPROVALS and
CONFORMITIES



INRATO
International
focus op veiligheid

MARINE